

PART NAME	UTILIBOX (STYLE E)	PART No.	CU-793 & CUR-793
-----------	--------------------	----------	------------------

MATERIAL:

ABS THERMOPLASTIC
 (FLAMMABILITY RATING OF 94V-0 AT
 0.070" THICKNESS AND CONTINUOUS
 USE TEMPERATURE OF 70° C.)

FINISH:

BODY (NO SUFFIX) - OUTSIDE SURFACES ARE TEXTURED FINISH WITH TEXTURED INSERT AREA.
 BODY (SUFFIX -R) - OUTSIDE SURFACES ARE TEXTURED FINISH WITH SMOOTH RECESSED INSERT AREA.
 COVER - SURFACES ARE SMOOTH.

COLOR: BLACK

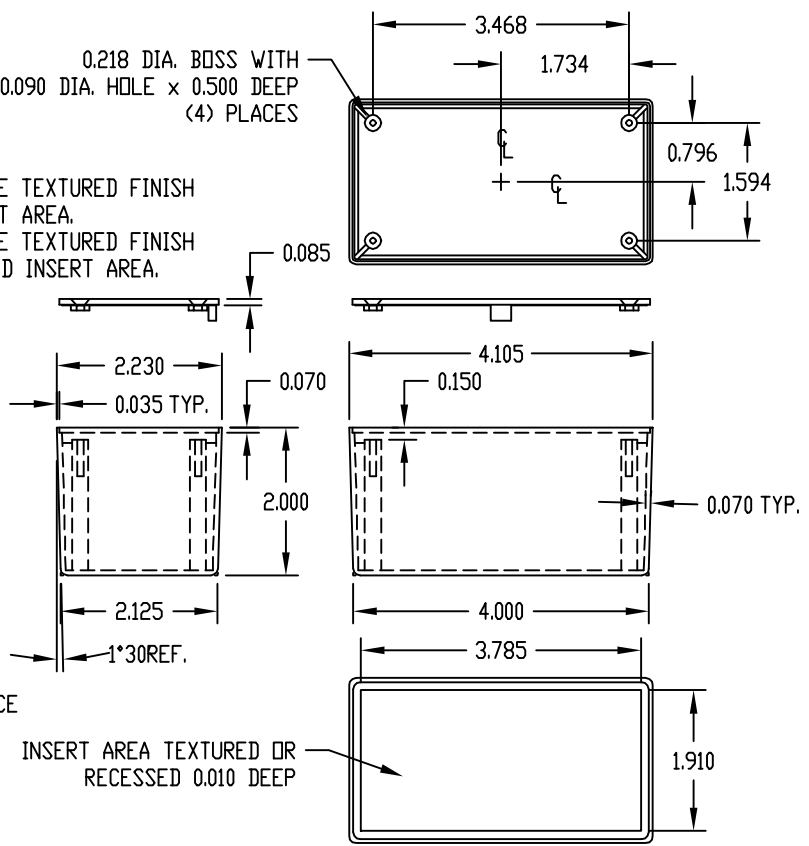
COVER REDUCES INSIDE HEIGHT BY 0.085.

LENGTH AND WIDTH DIMENSIONS ARE TAKEN FROM CLOSED END OF THE BOX. DIMENSIONS INCREASE SLIGHTLY AT OPEN END DUE TO TAPER.

FOUR (4) #4 x 0.500" LG. SELF THREADING SCREWS WITH HI/LOW THREADS ARE SUPPLIED FOR MOUNTING COVER.

NOTE: ALL DIMENSIONS HAVE ±0.010 TOLERANCE UNLESS OTHERWISE SPECIFIED.

0.218 DIA. BOSS WITH 0.090 DIA. HOLE x 0.500 DEEP (4) PLACES



INSERT AREA TEXTURED OR RECESSED 0.010 DEEP

PART NAME	UTILIBOX (STYLE E)	PART No.	CU-793-MB & CUR-793-MB
-----------	--------------------	----------	------------------------

MATERIAL:

ABS THERMOPLASTIC
 (FLAMMABILITY RATING OF 94V-0 AT
 0.070" THICKNESS AND CONTINUOUS
 USE TEMPERATURE OF 70° C.)

FINISH:

BODY (SUFFIX -MB) - OUTSIDE SURFACES ARE TEXTURED FINISH WITH TEXTURED INSERT AREA.
 BODY (SUFFIX -RMB) - OUTSIDE SURFACES ARE TEXTURED FINISH WITH SMOOTH RECESSED INSERT AREA.
 COVER - SURFACES ARE SMOOTH.

COLOR: BLACK

COVER REDUCES INSIDE HEIGHT BY 0.085.

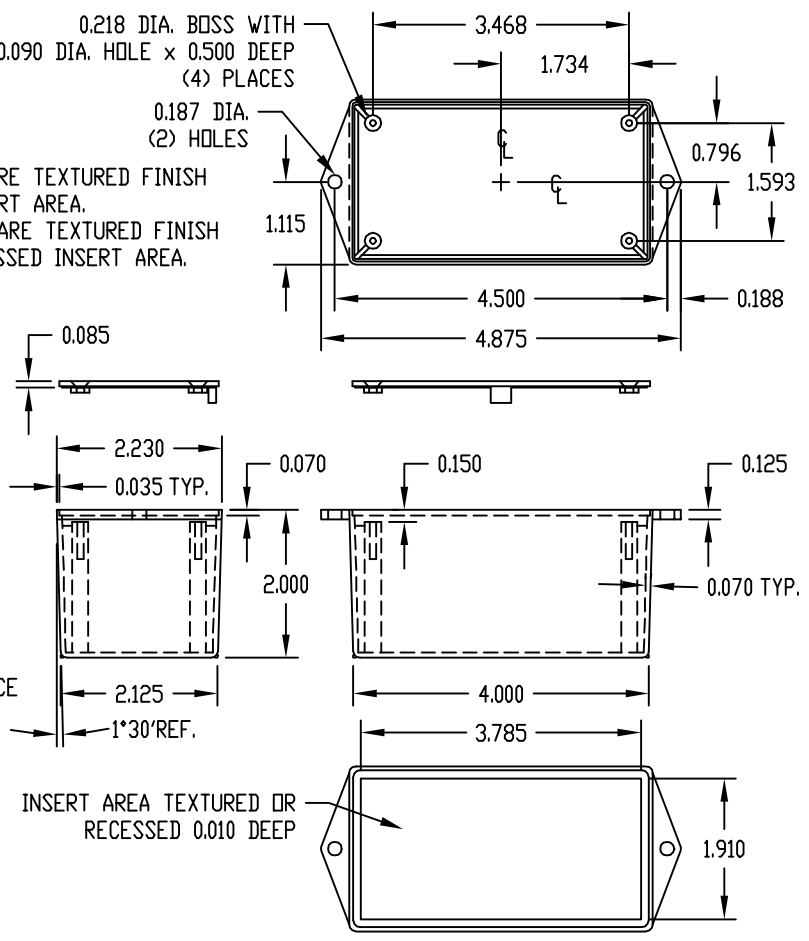
LENGTH AND WIDTH DIMENSIONS ARE TAKEN FROM CLOSED END OF THE BOX. DIMENSIONS INCREASE SLIGHTLY AT OPEN END DUE TO TAPER.

FOUR (4) #4 x 0.500" LG. SELF THREADING SCREWS WITH HI/LOW THREADS ARE SUPPLIED FOR MOUNTING COVER.

NOTE: ALL DIMENSIONS HAVE ±0.010 TOLERANCE UNLESS OTHERWISE SPECIFIED.

0.218 DIA. BOSS WITH 0.090 DIA. HOLE x 0.500 DEEP (4) PLACES

0.187 DIA. (2) HOLES



INSERT AREA TEXTURED OR RECESSED 0.010 DEEP